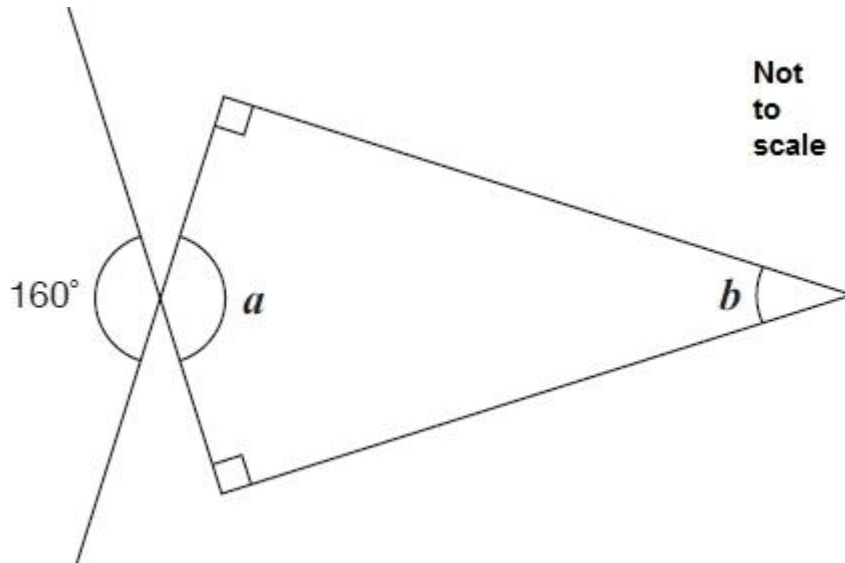


Calculate the size of angles a and b in this diagram.



$a =$ 1 mark

$b =$ 1 mark

Q4.

Here is the morning timetable for Chen's class this week.

Time	Mon	Tue	Wed	Thu	Fri
9:00 am – 10:30 am	Maths	English	Maths	English	Maths
10:30 am – 11:00 am	Break	Break	Break	Break	Break
11:00 am – 12:00 pm	English	Maths	Science	Maths	English

What is the **total** number of hours for **English** on this timetable?

hours

1 mark

Q5.

